

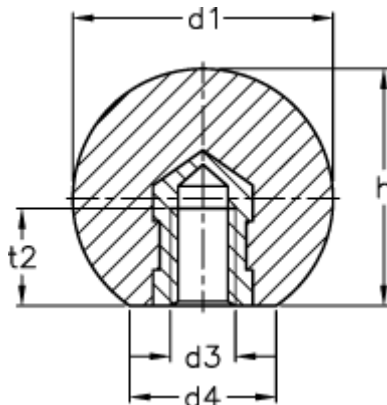
Data Sheet



Article number: 20129425

Description: E+G Ball knob DIN 319-KU-25-M6-E

Measures



$d1$	= 25
$d3$	= M6
$d4$ approx.	= 15
h	= 22.5
$t2$ min.	= 9.0